

DURAFIRM DIVING STAND PARTS

One Meter Stand Assemblies

Includes packaging or crate – does not include shipping charges.

FULCRUM (please specify what this will attach to)

R554Fulcrum assembly with stand box w/o holes (holes are for rail support)

R550**Fulcrum assembly, holes 2 sides (**has a long roller)

SB400Stand box w/ Holes

SB404Stand box - No Holes

MAIN SUPPORT (does not include fulcrum assembly)

1M450*Main support assembly

LADDER

1M355*Ladder assembly w/steps, anchor-fitting crosspiece, & hinges w/ bronze board bolts

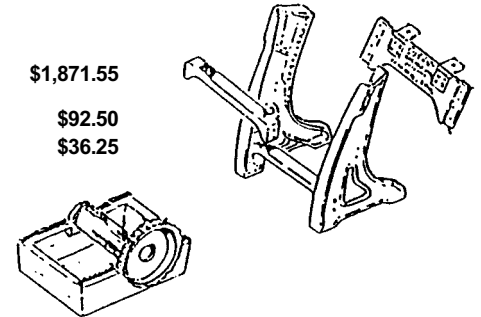
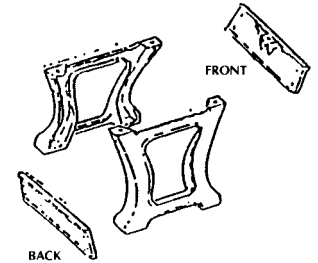
C211Step (tallest 1M has 3 steps)

C211-1Step Inserts

* There are 4 heights of one-meter stands, depending on deck to water level – (specify "dash number" on casting piece to be replaced).

- 3 for D/W level from 1.1 inches to 5.1 inches
- 5 for D/W level from 3.6 inches to 7.6 inches
- 10 for D/W level from 6.6 inches to 10.6 inches
- 13 for D/W level from 10.1 inches to 14.1 inches

	Ea.	2+
R554 Fulcrum assembly with stand box w/o holes	\$2,821.35	\$2,645.00
R550** Fulcrum assembly, holes 2 sides	\$2,821.35	\$2,645.00
SB400 Stand box w/ Holes	\$1,856.70	\$1,740.65
SB404 Stand box - No Holes	\$1,856.70	\$1,740.65
1M450* Main support assembly	\$1,376.35	\$1,290.35
1M355* Ladder assembly w/steps, anchor-fitting crosspiece, & hinges w/ bronze board bolts	\$1,996.35	\$1,871.55
C211 Step (tallest 1M has 3 steps)	\$98.70	\$92.50
C211-1 Step Inserts	\$38.70	\$36.25



GUARD RAIL ASSEMBLIES

Rail supports should be custom fit to the fulcrum box, otherwise rail sockets will not line up. We recommend that you send your fulcrum box back to the factory for the rail supports to be fit to it. We must advise that attempts to bend a rail support into position may cause it to break.

Note: You must have a LONG roller in order to use the footwheel of the adjustable fulcrum of stands having guard rails.

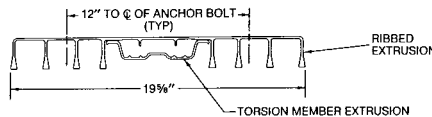
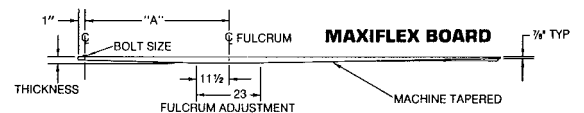
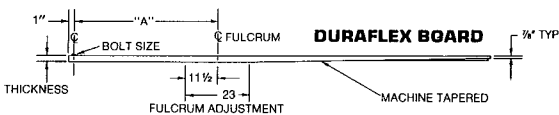
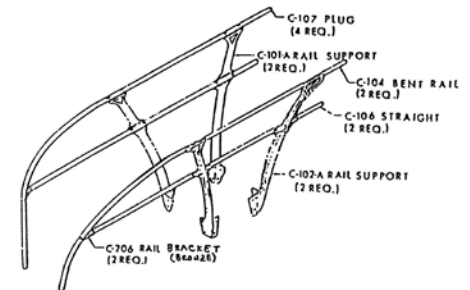
Price includes crating charge – does not include shipping charges.

Specify which model of stand you have.

C100-4R DOUBLE GUARD RAILS, 2 SIDES

NOTE: FOR SHORT STANDS, YOU NEED TO ADD SB404 BRACKETS. CALL FOR PRICING.

	Ea.	2+
C100-4R Double Guard Rails, 2 Sides	\$2,224.70	\$2,085.65



DIVING BOARDS

DURAFLEX* & MAXIFLEX by Duraflex International

The Duraflex tapered aluminum spring board is the finest diving board ever produced. This is evidenced by its exclusive use in all major diving meets around the world. **Features:** *Construction*-basic ribbed one piece extrusions heat treated for a tensile strength of 50,000 psi, *Aluminum alloy #6070-T6*. *Design*-machine tapered, acid etched and coated in aqua, thermal curing epoxy resin. Top surface three (3) layers sand and aluminum oxide.

Underside extrusion ribs in fulcrum area protected with vinyl channels. Duraflex available in 14 and 16 foot lengths.

Maxi-Flex - 16-foot only, construction identical to Duraflex except for addition of double taper, increasing lift potential 15%.

Maxi-Flex Model "B" (Cheese Board) - 16-foot only, construction identical to Maxi-Flex except for the addition of approximately 200 perforations extending 28 inches back from the tip end of the board.

Catalog #	Length	"A"	Thickness	Bolt Size	Shipping Weight	Ea.	2+
DURAFLEX BOARDS							
66-231-324	14'	63 1/4"	2 1/16"	5/8" dia.	140 lbs	\$3,273.10	\$3,113.45
66-231-326	16'	78"	2 1/16"	5/8" dia.	165 lbs	\$3,460.30	\$3,291.50
MAXIFLEX BOARD							
66-231-330 (Model B)	16'	73"	2"	5/8" dia.	160 lbs	\$3,991.05	\$3,796.35

***WARNING:** This equipment should be used only on pools that conform to N.C.A.A.-U.S.S. or FINA Standards. These standards specify minimum recommended depth of water, profile of pool bottom and location of boards. Also check local codes if they exist.