

Diving Standard Parts

Prices subject to change without notice.



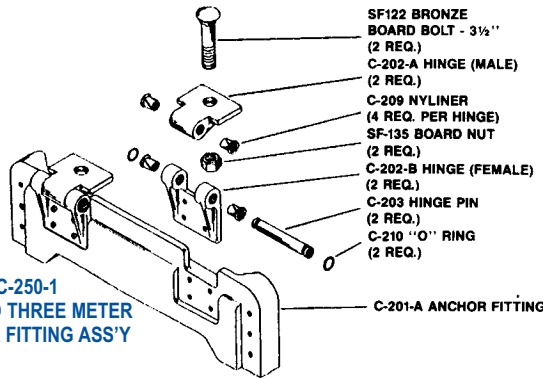
WALTERS' SWIM SUPPLIES, INC.

Website: www.walterswim.com Email: walterswim@sbcglobal.net

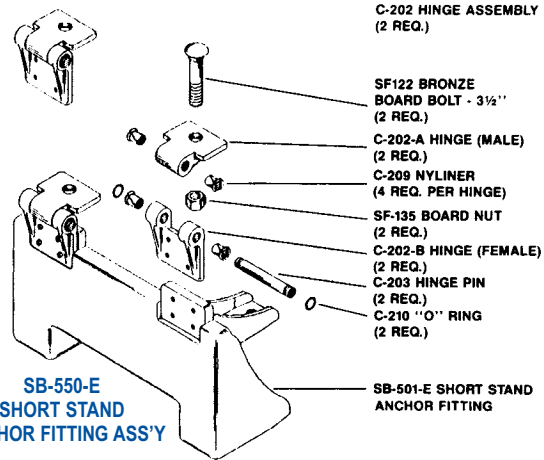
In WI: 1-262-790-9199 Fax: 1-262-790-9043 Toll Free: 1-800-558-0428

DURAFIRM

**C-250-1
ONE AND THREE METER
ANCHOR FITTING ASS'Y**



**SB-550-E
SHORT STAND
ANCHOR FITTING ASS'Y**



per each piece, except where the word "set" is used.

GUARD RAIL PARTS (do not order one support-order front & rear)

C101A	Rail support, double (left front or right rear)	\$ 364.30
C102A	Rail support, double (right front or left rear)	364.30
C104	Bent rail (specify on which stand & which side)	255.75
C106	Straight rail	132.90
C107	Guard rail plug	4.00
C206	Rail bracket (bronze)	14.30
C207	Stainless steel rail clamp (order bolt, below)	6.45
SF117	5/16" x 1/2" stainless steel rail-clamp bolt	2.90
SF118	5/16" x 5/8" stainless steel rail-clamp bolt	2.90
SF119	5/16" x 3/4" stainless steel rail-clamp bolt	2.90
SF153	5/16" x 7/8" stainless steel rail-clamp bolt	2.90
SB404L	Rail bracket (aluminum) for short stand, left	24.30
SB404R	Rail bracket (aluminum) for short stand, right	24.30

HINGE PARTS & ANCHOR-FITTING PARTS

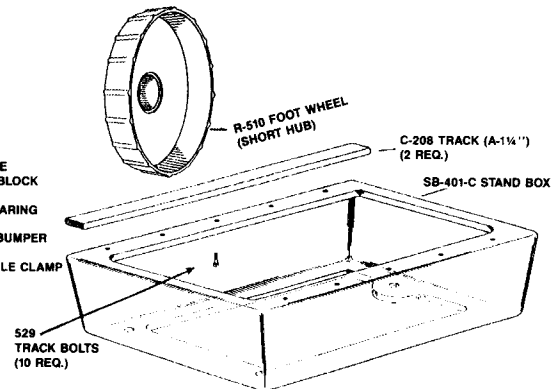
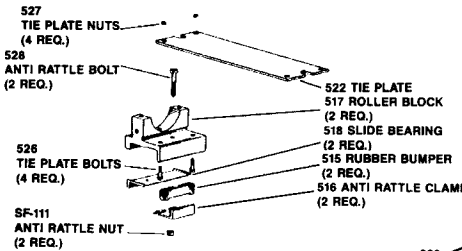
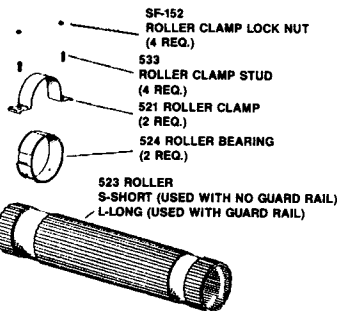
C202	Hinge, one complete w/aluminum bolts	\$ 104.30
C202A	Hinge, male	43.60
C202B	Hinge, female	49.70
C203	Hinge pin	12.50
C209	Nyliner	2.90
C210	O-ring	2.90
C201-1	1M/3M anchor-fitting (no hinges)	252.90
C250	1M/3M anchor w/hinges	458.60
PAINT		
MP105	Touch-up paint for stand, buff (2 oz. tube of pigment + hardener)	\$ 10.75
MP106	Touch-up paint for board, aqua (1 oz. tube of pigment + hardener)	10.75

STAND SHIMS, BOARD, VINYL, CHANNELS & RUBBER PIECES

MP107	Shim set, round: 4 each of 3 thick nylon + 6 phenolic	\$ 35.00
MP108	Shim set, square: 3 ea. of 7 thick nylon	50.00
MP110	Vinyl channel set: 6" w/glue & inst./after 1962	40.00
MP112	Vinyl channel set: 30" w/glue & inst./after 1962	119.00
PM108L	Corner piece, left (plugs tip-end cap, after 1975)	4.70
PM108R	Corner piece, right (plugs tip-end cap, after 1975)	4.70
PM112	Rubber grommet (pre-1975 bd. had 3; after 1975 has 1)	4.70

GREASE

PM110	Grease gun (order also: grease)	\$ 28.60
PM111	Mystik JT-6 (3 oz. tube)	5.75
P167	Calibrated strip	4.70



STAND ASSEMBLY BOLTS (Heads of these bolts are painted; we recommend that you order touch-up paint to coat nuts & threads after installation)

SF103	3/8" alum. round head bolt w/SF110 nut for anchor-fitting to ladder	\$ 3.25
SF104	3/8" x 1-1/4" alum. hex head bolt w/SF110 nut for rail supports for step to ladder	3.25
SF105	3/8" x 1/4" alum. hex head bolt w/SF110 nut for rail supports to fulcrum box for crossbraces to stand frame	3.25
SF106	1/8" x 1-1/2" alum. hex head bolt w/SF110 nut for hinges to anchor fitting	2.90

Unpainted Bolts

SF108	5/8" x 2-1/2" alum. hex head bolt w/SF112 nut & 2 washers for fulcrum box to stand frame	\$ 8.60
-------	--	---------

BOARD BOLTS: to bolt board to stand ("carriage bolts")

SF122	5/8" x 3-1/2" Brz. board bolt (bolts to Durafirm hinges) (price of bolt includes nut)	\$ 41.30
SF141	5/8" x 5-1/2" Cad-plated Board bolt w/nut	8.95
SF142	5/8" x 7" Cad-plated Board bolt w/nut	8.95

ALUMINUM NUTS & WASHERS

(are included with bolts OR priced separately are):

SF111	Anti-rattle lock nut	\$ 3.25
SF152	Roller clamp lock nut	3.25

FULCRUM NUTS & BOLTS

526	Tie plate bolt w/nut & washer	\$ 3.25
528	Anti-rattle bolt w/SF111 nut	4.30
529	Track bolt	3.25
533	Roller clamp stud w/SF152 nut	4.30

FULCRUM PARTS

515	Rubber bumper	\$ 6.10
516	Anti-rattle clamp	10.00
517	Roller block, w/roller bearing, slide bearing, roller clamp & stud/nuts	102.15

STUD BOLTS: Bolts stand to deck anchors (no nuts needed)

SF124	5/8" x 1-3/4" Bronze hex hd. bolt	\$ 9.65
SF125	5/8" x 2" Bronze hex hd. bolt	9.65
SF127	5/8" x 2-1/2" Bronze hex hd. bolt	9.65
SF129	5/8" x 3" Bronze hex hd. bolt	9.65
SF138	5/8" Brass Washer (1 per install. bolt)	each 3.60
SF139	3/4" Brass Washer (1 per ladder install. bolt)	each 3.60

518	Slide bearing	\$ 7.15
521	Roller clamp	12.15
522	Tie plate	51.80
524	Roller bearing	10.00
530	Zerk fitting (grease-gun fitting on roller block)	3.95
532	Expansion pin (locks footwheel to roller)	3.25
R510L	Footwheel	351.10
C208A	Track (1-1/4" wide) one each, w/5 bolts	73.60
FP500S	Fulcrum Part Kit: Footwheel & roller (specify long or short) Tie Plate, 2 Roller Block Assemblies Grease Gun & Grease	620.36

* Before ordering roller, measure length of roller to be replaced.

STAND DECK-ANCHORS:

70-231-900	Bronze Anchor castings (1M & 3M use 8:SS use 6) with 5/8" x 1" steel bolt for layout positioning with 1/2" x 5" steel bolt, holds in wet cement for 1M/3M	each \$282.10
------------	---	---------------