

# Diving Equipment

Prices subject to change without notice.



**WALTERS' SWIM SUPPLIES, INC.**

Website: [www.walterswim.com](http://www.walterswim.com) Email: [walterswim@sbcglobal.net](mailto:walterswim@sbcglobal.net)

In WI: 1-262-790-9199 Fax: 1-262-790-9043 Toll Free: 1-800-558-0428

## DURAFIRM DIVING BOARD STANDS

### ONE METER STANDS

	<u>Ea.</u>	<u>2+</u>
<b>70-231-400 Stand w/double guard rails on two sides</b>	<b>\$7757.70</b>	<b>\$7379.25</b>

The One-Meter Durafirm Stands are available with double guard rails. One-Meter Stands like the Three-Meter units have hinged board anchors, which allows easy tilting of the Board up to 180° to clear the pool edge during other activities such as swimming meets and water polo matches. One-Meter structures are manufactured in four different heights which cover a wide range of deck level to water level dimensions. This dimension must be indicated when ordering.

### ANCHOR MATERIALS

	<u>Ea.</u>	<u>2+</u>
<b>70-231-900 Bronze Anchors, New Decks</b>	<b>\$282.00</b>	<b>\$268.30</b>
<b>906 Hilti Inserts, Existing Deck w/ Dispenser</b>	<b>362.00</b>	<b>344.50</b>
<b>907 Hilti Inserts, Existing Deck w/o Dispenser</b>	<b>282.70</b>	<b>268.90</b>



## THREE METER STAND

	<u>Ea.</u>	<u>2+</u>
<b>70-231-300 Stand w/double guard rails on two sides</b>	<b>\$15,528.20</b>	<b>\$14,770.70</b>

The Three Meter Durafirm Stands are manufactured of similar and identical components as the One-Meter Stands. Many structural members are interchangeable, One -Meter to Three-Meter, such as guard rail supports, complete fulcrum units and anchor hinge assemblies. All structural member are individually coated with a 20 mil. coat of baked epoxy. All fasteners are corrosion resistant aircraft aluminum alloy with epoxy coating, except the deck hold down bolts which are silicon bronze. The most important single feature of the Three-Meter Durafirm is the simple 8-point deck anchorage, which requires no special footings and can be installed on an existing deck, if concrete is of good quality and no less than 4 1/2" thick.

The guard rails are fabricated of polished, stainless steel tubing, and are secured to the structure with quick assembly stainless steel strap clamps.

All fulcrum bearings are nylon and are adjustable for wear. There are lubrication devices mounted on the roller and slide bearings.

The hinge and rear support assembly is adjustable vertically in seven one-inch increments, which makes possible the simple leveling of the Board, regardless of pitch or slope of deck.

The Three Meter Stand is available in only one model – double guard rails, both sides. It is however, manufactured in two different heights to accommodate various deck level to water level dimensions.



### ANCHOR MATERIALS

	<u>Ea.</u>	<u>2+</u>
<b>70-231-900 Bronze Anchors, New Decks</b>	<b>\$282.00</b>	<b>\$268.30</b>
<b>906 Hilti Inserts, Existing Deck w/ Dispenser</b>	<b>362.00</b>	<b>344.50</b>
<b>907 Hilti Inserts, Existing Deck w/o Dispenser</b>	<b>282.70</b>	<b>268.90</b>

## DURAFIRM SHORT STANDS

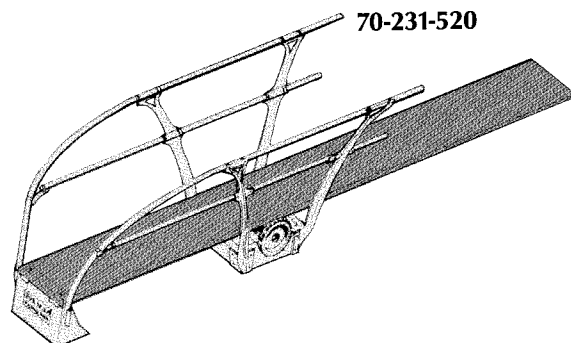
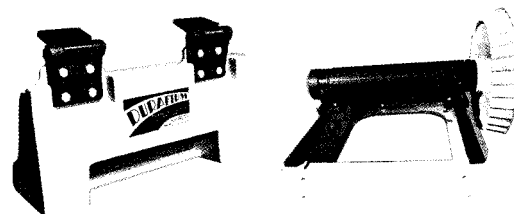
### SHORT STANDS

	<u>Ea.</u>	<u>2+</u>
<b>70-231-520 Stand w/double guard rails on two sides</b>	<b>\$5,892.30</b>	<b>\$5,604.85</b>
<b>70-231-524 Stand without guard rail</b>	<b>3,319.25</b>	<b>3,157.35</b>

Durafirm Short Stands have fulcrum units identical to the One and Three Meter Stands and identical guard rails and anchoring units. They are designed for use on concrete supports or platforms at either One or Three Meter level.

### ANCHOR MATERIALS

	<u>Ea.</u>	<u>2+</u>
<b>70-231-900 Bronze Anchors, New Decks Short Stands</b>	<b>\$211.55</b>	<b>\$201.25</b>
<b>906 Hilti Inserts, Existing Deck w/ Dispenser</b>	<b>362.00</b>	<b>344.50</b>
<b>907 Hilti Inserts, Existing Deck w/o Dispenser</b>	<b>282.70</b>	<b>268.90</b>



All unit prices listed in catalog are an each price. Walters will be glad to furnish your organization with a bid. For quantity pricing and shipping quotes contact Walters.