

S.R. Smith Lifeguard Chairs

Prices subject to change without notice.



WALTERS' SWIM SUPPLIES, INC.

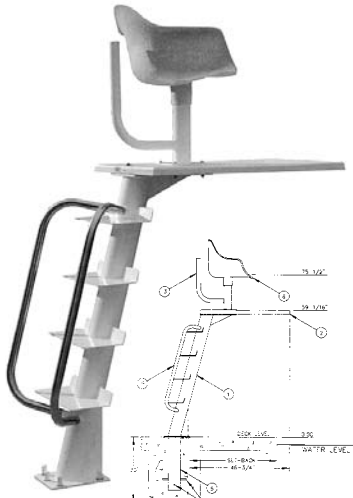
Website: www.walterswim.com Email: walterswim@sbcglobal.net

In WI: 1-262-790-9199 Fax: 1-262-790-9043 Toll Free: 1-800-558-0428

S.R. SMITH CANTILEVER LIFEGUARD STAND

This is a tall lifeguard chair with an extended observation platform (footboard) and umbrella support. It is intended for semi-permanent installation on an imbedded support column at facilities not requiring frequent removal or movement of lifeguard chairs. Depending upon installation design and local codes, this model is generally suitable for use on commercial pools. If intended use of the chairs is facilitated by their placement (such as judging activities), if project design and local codes permit and if frequent removal of the chairs is not a requirement, they may also be suitable for use on some competition pools. In addition and depending upon installation design, these stands may also be found to be ideal for use as judging and observation stands on tennis courts and at other sporting sites.

STANDARD FEATURES: The CAT-LG-10C Cantilever Lifeguard Stand is a semi-permanent lifeguard stand which is provided complete (less umbrella (provided by others) and consists of five component parts.



- INDIVIDUAL ASSEMBLIES**
- 1) Support Column
 - 2) Fiberglass Platform
 - 3) Chair/Umbrella Support Assembly
 - 4) Handrails
 - 5) Pre-set Base
 - 6) Fiberglass Chair

CAT-LG-100 **Each** \$2073.95 **2+** \$1950.95

S.R. SMITH VISTA CHAIR

Excellent for temporary or semi-permanent application. Solid Laminated Fir core platform with fiberglass-reinforced acrylic designed for durability and longevity. Swivel Seat for improved visibility plus umbrella & rescue tube holders 1.90" x .065" wall, 304 Stainless Steel for commercial support.

Footboard: 30" W x 42" L
Seat: Fiberglass with 360° rotation Swivel
Treads: Black Molded Plastic
Height: 6 ft. and 8 ft.
Weight: 6 ft: 110 lbs.; 8 ft.: 130 lbs



US48500 **6' Vista Lifeguard Chair**
US48550 **8' Vista Lifeguard Chair**

Ea \$2702.95 **2+** \$2541.95
\$3353.95 **\$3153.95**

S.R. SMITH PORTABLE LIFEGUARD STAND

This is a moderate to tall lifeguard chair with an extended observation platform and umbrella support. It is intended for use at temporary, semi-permanent and permanent sites. Depending upon installation design, local codes and site requirements, this model is generally suitable for use on both commercial and competition pools. In addition, these stands are very well suited for use as judging and observation stands on tennis courts and at other sporting sites, especially those where permanent installation is not desired.

STANDARD FEATURES: The PLS-204 Portable Lifeguard Stand consists of three main components.



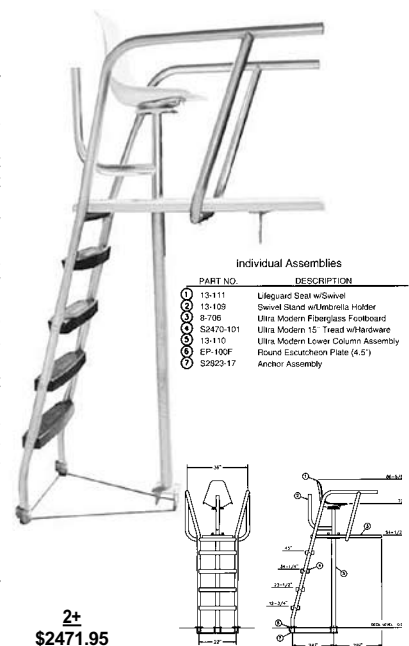
- Individual Assemblies**
- 1) 13-111 Fiberglass Seat w/Swivel
 - 2) 13-109 Swivel Stand w/Umbrella Holder
 - 3) 8-706 Ultra Modern Fiberglass Footboard
 - 4) 8-662 Ultra Modern 15" Tread w/Hardware
 - 5) 13-110 Ultra Modern Lower Column Assembly
 - 6) EP-100F Round Escutcheon Plate (4.5")
 - 7) 32822-17 Anchor Assembly

PLS-204 **Each** \$2383.95 **2+** \$2241.95

S.R. SMITH GUARDIAN GUARD CHAIR

This is a moderate to tall lifeguard chair with an extended observation platform (footboard) and umbrella support. It is intended for permanent installation on an imbedded jig at those facilities not requiring frequent removal or movement of lifeguard chairs. Depending upon installation design, this model is generally suitable for use on commercial pools. Because movement of the stand is more difficult to accomplish, it is rarely considered suitable for use on competition pools. However, exceptions are those cases where intended use of the chairs are facilitated by their placement (such as judging activities) and where project design and local codes permit. Depending upon installation design, these stands may also be found to be ideal for use as judging and observation stands on tennis courts and at other sporting sites.

STANDARD FEATURES: The Guardian™ Lifeguard Stand (UMLS-101) is a semi-permanent lifeguard stand which is provided complete (less umbrella (provided by others) and consists of four component parts.

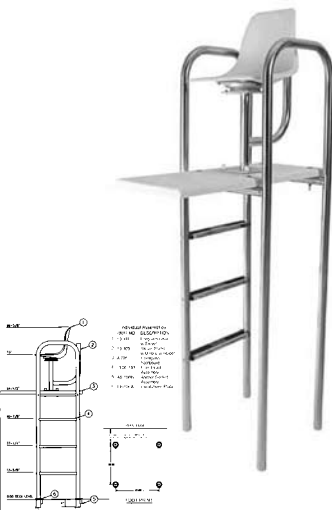


UMLS-100 **Each** \$2627.95 **2+** \$2471.95

S.R. SMITH INSTITUTIONAL LIFEGUARD STAND

This is a moderate to tall lifeguard chair with an extended observation platform and umbrella support. It is intended for semi-permanent installation on relatively shallow anchor sockets. Depending upon installation design, this model is generally suitable for use on commercial pools. Because the stand is easily removable and the vacant mounting points are easily protected, it may also be suitable for use on competition pools providing other design requirements are met. In addition and depending upon installation design, these stands may also be found to be ideal for use as judging and observation stands on tennis courts and at other sporting sites.

STANDARD FEATURES: The ILGS-205 Institutional Lifeguard Stand consists of three main components. Required anchor sockets and escutcheon are ordered separately (see below).



ILGS-205 **Each** \$1458.95 **2+** \$1372.95
anchors not included

S.R. SMITH LOW PROFILE GUARD CHAIR

This is a short to moderate lifeguard chair with a spacious platform and umbrella support. It is intended for use at temporary, semi-permanent and permanent sites. Depending upon installation design, local codes and site requirements, this model is generally suitable for use on both commercial and competition pools. In addition, these stands may also have applications at water slides, amusement parks and water parks and at sporting sites as judges' stands or at other sites where portability is required or where permanent installation is not desired.

STANDARD FEATURES: The Low Profile (Portable) Lifeguard Stand consists of three main components.



LPLS-330 **30" Low Profile Chair** **Ea** \$1917.95 **2+** \$1803.95
LPLS-342 **42" Low Profile Chair** **\$2020.95** **\$1900.95**