

Special Needs

Prices subject to change without notice.



WALTERS' SWIM SUPPLIES, INC.

Website: www.walterswim.com Email: walterswim@sbcglobal.net

In WI: 1-262-790-9199 Fax: 1-262-790-9043 Toll Free: 1-800-558-0428



THERAPEUTIC LADDER

Designed for hospital and/or handicapped treatment pools. Slopping design, handrails and closer spaced steps permit easy entry by the elderly or infirm. If dimensions from deck to pool floor is:

18"-27" use 2-Step 38"-47" use 4-Step
28"-37" use 3-Step 48"-57" use 5-Step

Safety Wedge The protective skirt prevents swimmers from lodging between pool wall and ladder.

ID No. 42725 \$325.25

Anchor Socket is cast bronze with locking bronze wedge and stainless steel bolt.

ID No. 28102 \$45.00

Escutcheon Plates to cover anchor sockets. Deluxe style is chrome-plated bronze casting, standard style is stainless steel.

ID No. 28301 (Deluxe) \$34.00

ID No. 28302 (Standard) \$11.00

	.145"	Each	2+	.109"	Each	2+	.065"	Each	2+
2 Step	42701	\$1030.55	\$970.65	42705	\$895.60	\$843.55	42709	\$591.85	\$557.45
3 Step	42702	\$1115.95	\$1051.05	42706	\$980.35	\$923.35	42710	\$637.50	\$600.45
4 Step	42703	\$1280.85	\$1206.40	42707	\$1065.10	\$1003.20	42711	\$685.75	\$645.85
5 Step	42704	\$1301.10	\$1225.45	42708	\$1145.95	\$1079.30	42712	\$730.70	\$688.20

Ask for Spec Sheet No. TA 30.21

EASY LADDER

The safe, easy way to enter or exit a pool that lets you meet the needs of special populations.

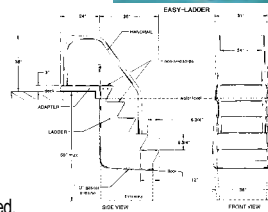
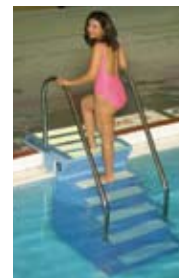
Who Uses the Easy Ladder?

- The elderly • People with arthritis • Young children
- Mothers-to-be • People needing recuperative therapy
- Anyone who is prevented from using a pool because they can't handle a vertical pool ladder.

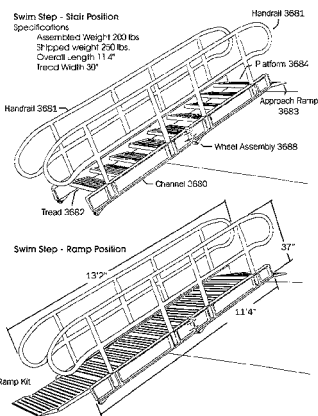
Designed to eliminate back and arm strain. Allows gentle, upright pool entry and exit. No deck modifications or bolting necessary. Custom-trimmed at our factory to fit each pool's depth, floor slope, and coping to assure a secure fit. Ladders can range between 30" and 68" deep.

- Aesthetically designed to fit into a recreational setting.
- Easily removed. Dolly included.
- Non-skid treat strips for a safe footing.
- Side skirts prevent swimmer entrapment.
- Locate in pool corner, on sides, or end wall.
- Durable fiberglass and stainless steel construction.
- High visibility yellow molded-in color to aid visually impaired.

CW0010	0" - 48" from pool floor to deck	\$2267.95
CW0010-1	48" - 58" from pool floor to deck	\$2839.95
CW0010-2	59" - 68" from pool floor to deck	\$3296.95



AQUATREK SWIM-RAMP



The SWIM-STEP SYSTEM is a light-weight, durable, portable, storable step/ramp* unit for swimming pools! 3-In-One System . . . A Stair, a Ramp, Underwater Parallel bars!

- Meets the accessibility standards of the National Center for a Barrier Free Environment.
- Adjustable to varying pool depths.
- Manufactured from modern, lightweight, non-corrosive engineered thermoplastics and free of sharp edges or corners.
- Can be modified to accommodate any gutter system.
- Can be easily installed or removed from any pool at any time. Easy to transport on built-in wheels; easy to store with snap-out rails and main unit which folds in half.
- Special non-skid treads on each step.
- Top step attaches to decks of various pool designs with two bolts through the entrance ramp. This adds to the Swim-Step's stability and is a safety requirement.

AQ9000 \$5600.00

aQuatrek™



AQUATREK LADDER

The AQUATREK LADDER lets you walk into your pool. People of all ages can enter and exit your pool with ease. Wide treads and handrails provide the needed stability. The AQUATREK LADDER is easily removed for automatic pool cleaners, retractable pool covers, and solar blankets.

- Durable and Lightweight
- Non-slip safety treads on each step
- Portable and removable
- Built to specifications of your pool
- Full one-year warranty on all parts
- Available in 4, 5, or 6 step models

AQ4000 4-Step	\$2421.00
AQ5000 5-Step	2769.00
AQ5600 6-Step	3331.00



AQUATREK AQUA CHAIR

The AQUA-TREK AQUA CHAIR was designed to be used in and around water. It's unique design allows full usage in Swimming Pools, Spas and Showers. Constructed of PVC plastic and stainless steel fasteners makes it both durable and non-corrosive.

- Durable and Lightweight
- Options available
- 7" & 24" Mag wheels
- Totally Submersible
- Hand Rings
- Foot Rest
- Safe & Comfortable
- Stainless Steel Axle
- Patent Pending
- Stainless Steel Fasteners
- Full One-Year Warranty

OPTIONS

- Shoulder Harness
 - Seat Belt
 - Swing Arm
- *Call for Pricing

AQ350WC \$1190.00

AQUATREK STEP

Have you ever wanted your own removable stairway to make getting in and out of your swimming pool easier? Well, with the NEW AQUATREK STEP you can do just that! The AQUATREK STEP will provide your swimmers with safe, easy, and comfortable access to your pool. In addition, it can be removed by your staff in minutes and rolled away on the wheels built right on to the steps. Send in the gutter detail form provided for a quote on a customized Aquatrek Step today!



- Constructed of durable, non-corrosive plastic
- Non-slip safety treads on each step
- Lightweight and portable
- Built on wheels for transporting
- Allows user to enter and exit walking forward
- Available in 6 or 7 step models

AQ6000 6-Step	\$3331.00
AQ7000 7-Step	3623.00
AQ8000 8-Step	3926.00



BOZEMAN THERAPY STEPS™

The Bozeman Therapy Steps™ provide swimming pool access for physically challenged individuals. These units are portable and custom design to ensure proper fit in the swimming pool. The frame assembly is fabricated from 1.5" O.D. x 0.120" wall thickness, 316L-stainless steel. After fabrication the stainless steel is passivated to protect against corrosion. Step treads are non-slip Duradeck™. Units are shipped with durable polyethylene wheels for transport. Anchors and escutcheons are sold separately. The Bozeman is ADA Compliant.

25101 3-Step Unit	\$5935.95
25201 4-Step Unit	6599.95
25301 5-Step Unit	7379.95
25401 6-Step Unit	8299.95